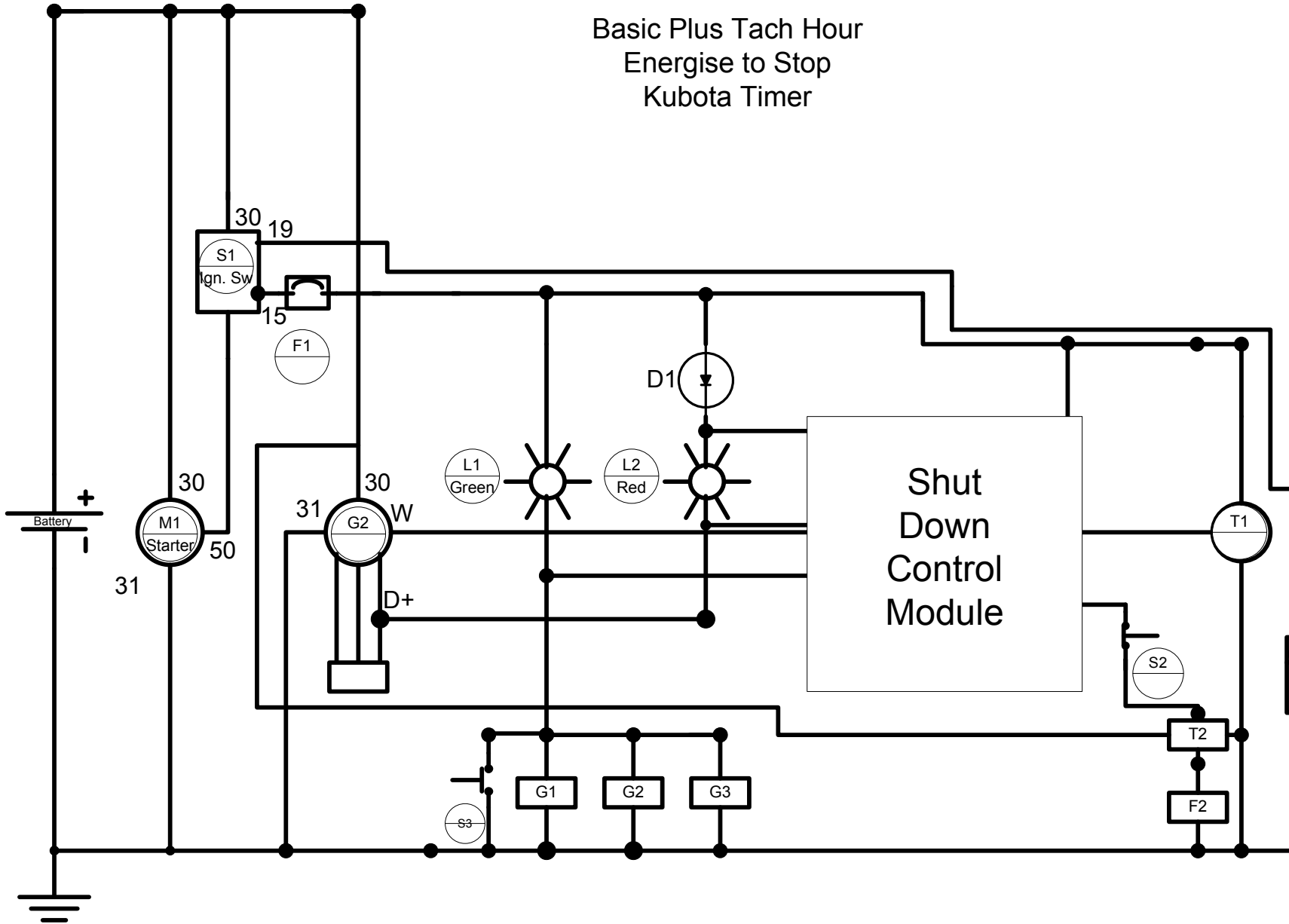


Basic Plus Tach Hour
Energise to Stop
Kubota Timer



- Legend**
- D1 In Line Diode
 - F1 Circuit Breaker
 - G2 Alternator
 - G1 Glow Plug
 - K1 Shut Down Relay 1
 - K2 Shut Down relay 2
 - L1 Shut Down Warn light Green
 - L2 Alternator Charge Lamp Red
 - L3 Yellow
 - M1 Starter Motor
 - S1 Ignition Switch
 - S2 Push To Start Switch
 - S3 Push To Stop Switch
 - T1 Tach Hourmeter
 - T2 Kubota Shut Solenoid Timer
 - G1,2,3 Shut Down Switch
 - G4 Glow Plug
 - F2 Fuel Shut Solenoid

- Color Code**
- Red Battery
 - Black Ground
 - White Alt D+
 - Yellow Fuel Sol
 - Pink Starter Sol
 - Brown x 3 Shut Down Switch
 - Black/White Tacho Signal "W"